

ED-ACC-ANT-G4G25-L10

4G and Wi-Fi Antenna



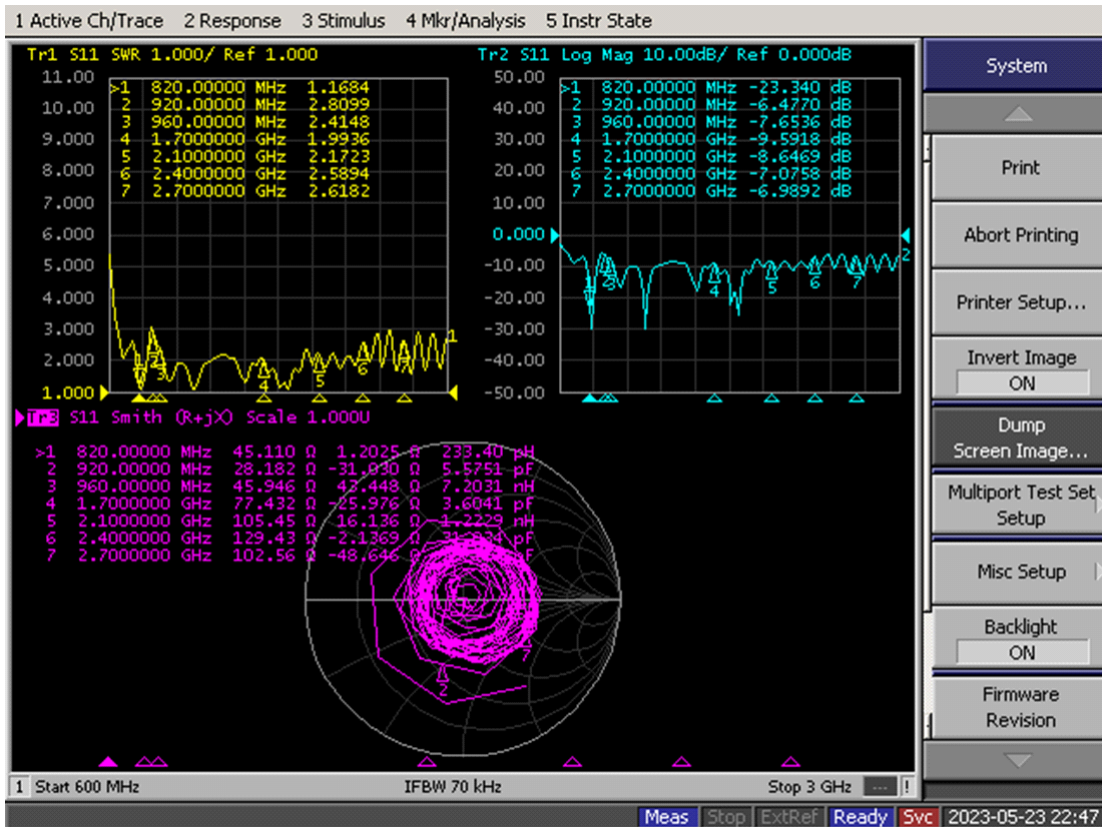
Specifications

Basic Parameters	
Working Frequency	4G: 700MHz~960MHz/1700MHz~2700MHz 2.4G/5.8G: 2400MHz~2500MHz/5000MHz~5800MHz
Gain	4G: 7 dBi 2.4G&5.8G: 5 dBi
Antenna Efficiency	35% ~ 80%
VSWR	<1.8
Polarization	Vertical Polarization
Radiation Pattern	Omnidirectional
Impedance	50 ohm
Interface	SMA female internal needle and SMA female internal hole
Dimensions	46mm x 16mm

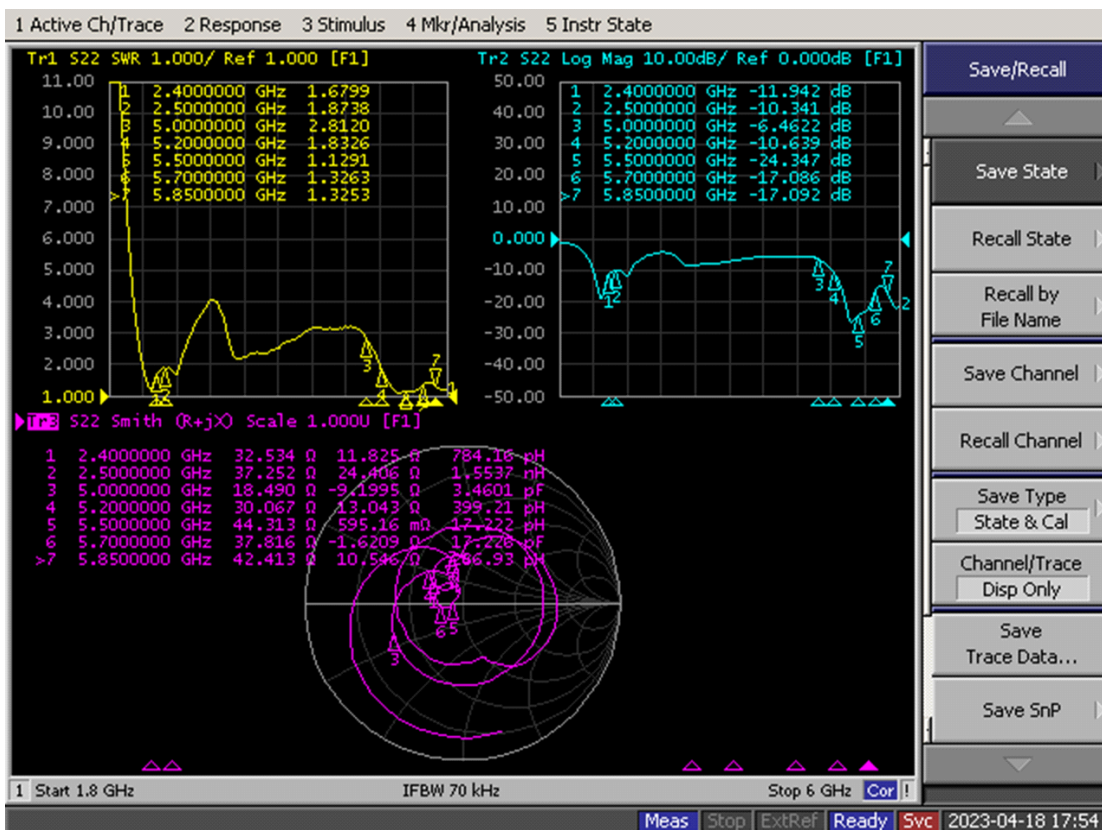
Environmental Parameters	
Operating Temperature	-30°C ~ 70°C
Storage Temperature	-30°C ~ 70°C

VSWR/Return Loss/Smith Chart

4G

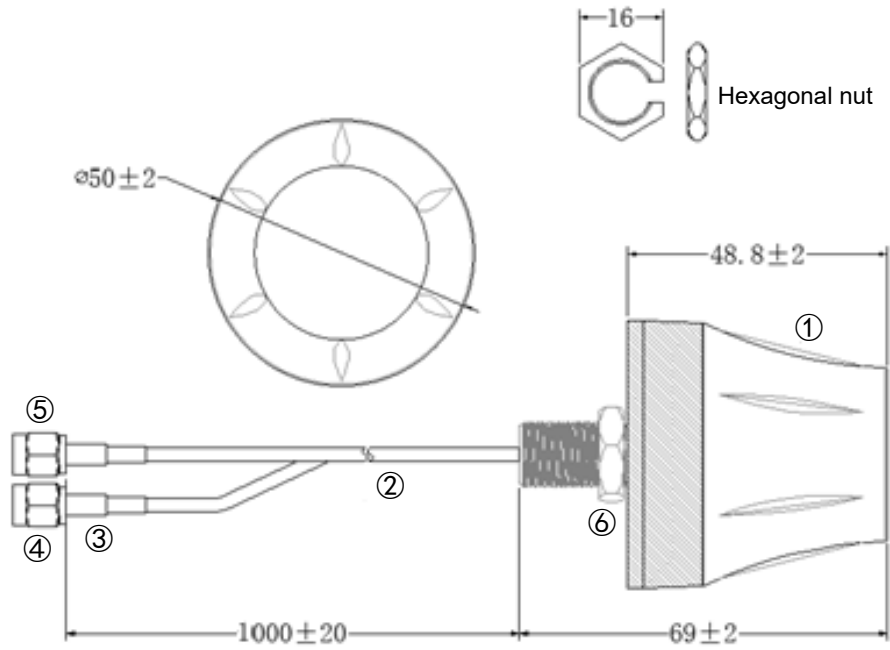


Wi-Fi



Dimensions

Unit: mm



NO.	Name	Description
①	Shell	Plastic/Black
②	Cable	RG174
③	Heat shrink tubing	15mm/Black
④	SMA female internal needle	D1/golden
⑤	SMA female internal hole	D1/golden
⑥	Hexagonal nut	Copper
Note: The equal lengths of the wires are 500±20mm.		

Ordering Code

P/N: **ED-ACC-ANT-G4G25-L10**

Configuration: 4G and Wi-Fi Antenna